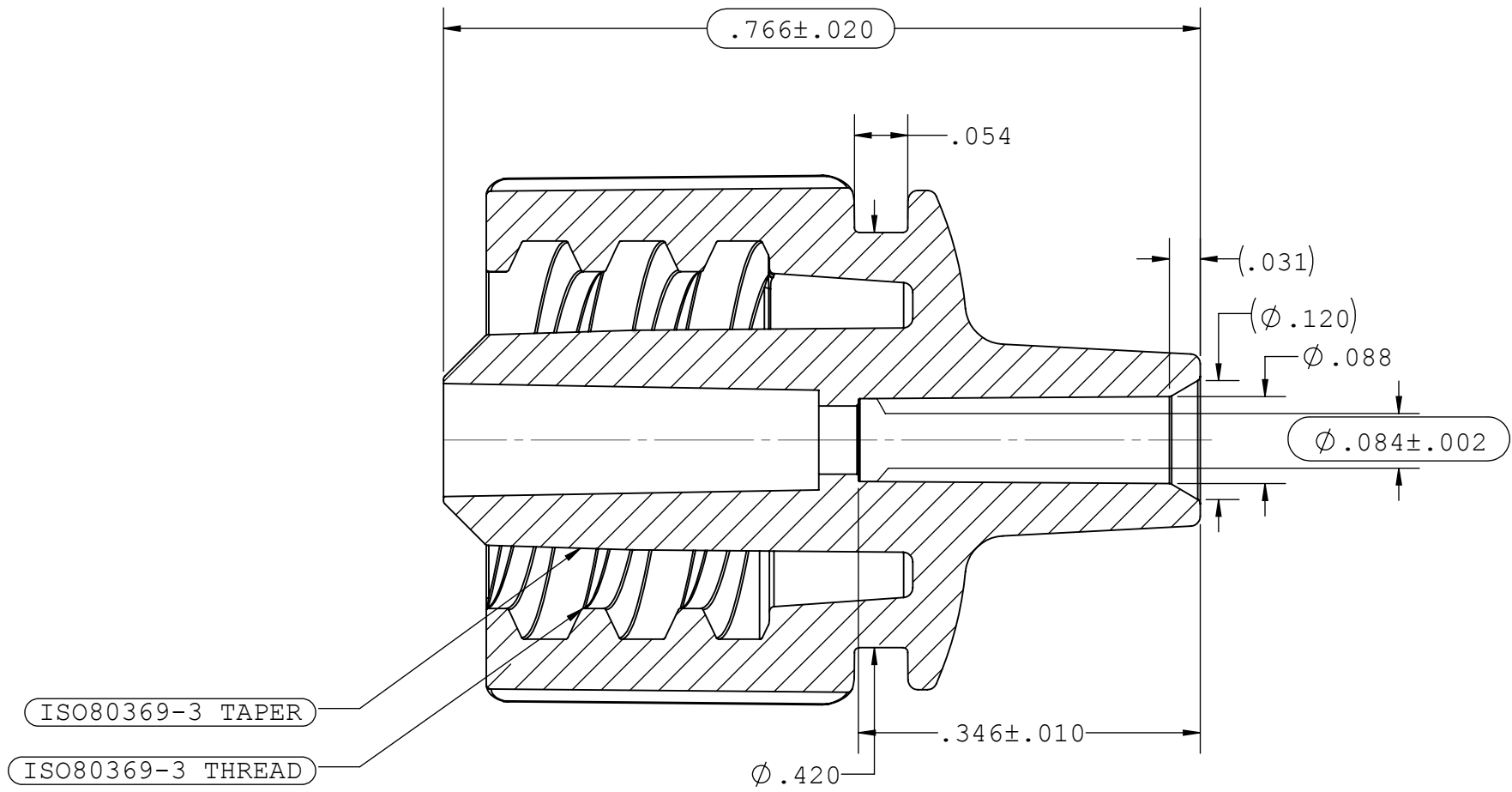
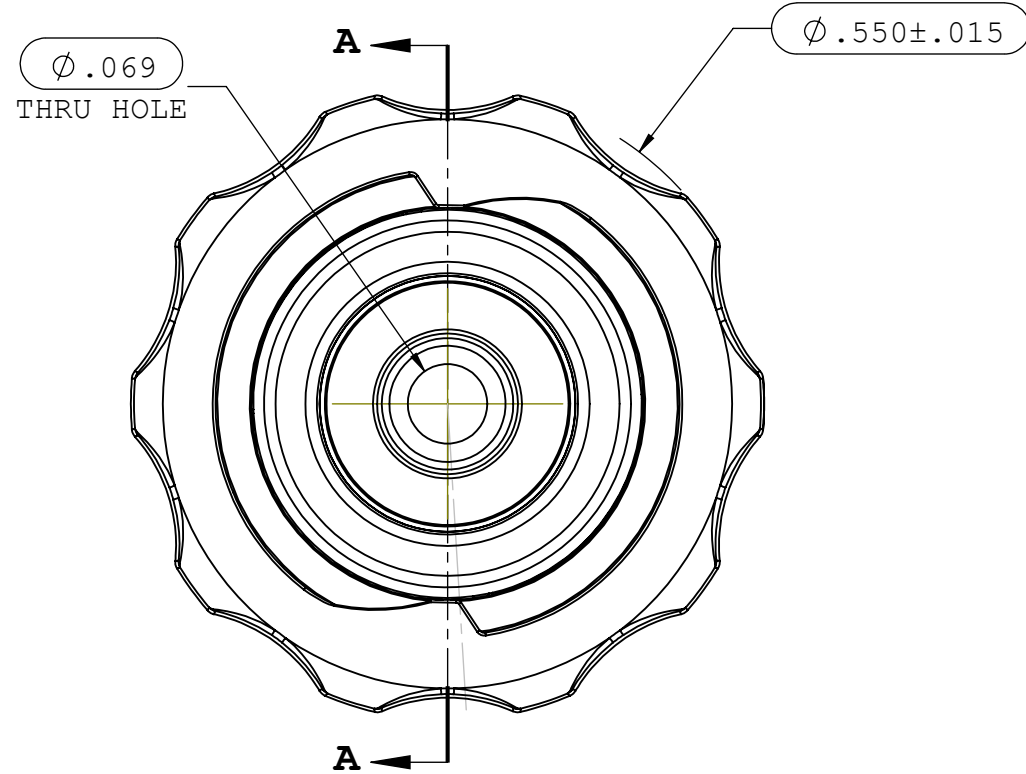
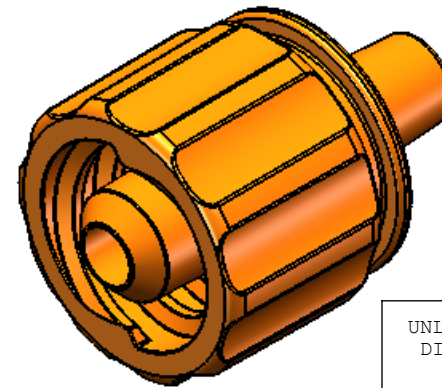


NOTES: FOR ADDITIONAL DETAILS, PLEASE CONTACT VP CUSTOMER SERVICE  
 DIMENSIONS MARKED  $\phi$  ARE CONTROL DIMENSIONS

REVISIONS			
REV.	DESCRIPTION	DATE	APPROVED
A	INITIAL RELEASE	12-11-15	H.L



**SECTION A-A**



UNLESS OTHERWISE SPECIFIED  
 DIMENSIONS ARE IN INCHES  
 TOLERANCES ARE:

FRACTIONS	DECIMAL	ANGULAR
$\pm$	$\pm .01$	$\pm 1^\circ$
	$\pm .005$	
	$\pm .001$	

DO NOT SCALE DRAWING

**VALUE PLASTICS, INC**

PART NUMBER: ENTME064

DESCRIPTION: ISO 80369-3 Enteral Feeding Male Connector,  
 Socket for 6.5 Fr. Tubing

DRAWN BY: Frank.Lombardi	DATE: 12/21/2015	SIZE: <b>B</b>	SCALE: NTS	VER:	DWG. NO. 1035208	REV A
MANAGER: Lou Huadong					© 2011 VALUE PLASTICS, INC	SHEET: 1 OF 1

**FOR REFERENCE ONLY**